

OUR MACHINES

■ CARTON SEALING MACHINE

Flexibility is inherent in every **ASISS PACKAGING** product. Our Carton Sealers are designed, engineered and manufactured for high reliability, durability & to perform under challenging production conditions.

■ STRAPPING MACHINE

We provide innovative world-class high speed, automatic, Semi-Automatic Strapping machines which are suitable for 5mm, 6mm or 9mm strapping. Equipping with all industry's standard features and creative user friendly designs, easiest maintenance and the most cost effective.

■ CASE ERECTOR

Our Case Erectors are ergonomically friendly. The innovative design of our Case Erector ensures reliability and continuous production. Our Case Erector are engineered and manufactured for continuous, reliable performance.

■ SHRINK MACHINE

Sealing & shrinking in one operation. Can be customized as per customer requirement. Window dimension & Chamber length can be customized as per customer's requirement.

■ CONVEYOR SYSTEM

We design and develop conveying systems for various industrial applications. We provide from single conveyor to large multi-conveyor systems, from input raw material to finished goods warehousing.

■ CHECKWEIGHER

We are able to provide weighing systems in accordance with the customer's specifications. Further to attain maximum satisfaction of customers, we provide after sales service.

■ CODING MACHINES

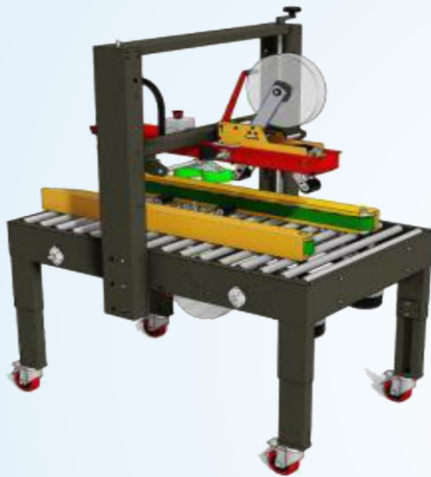
We serve alternative in the form of our various Coding Machines.



CARTON SEALING MACHINE

552 TB Power Driven Top And Bottom Belts

Power Supply - I PH, 220V,
Tape head - 2" OR 3"
Both side compression rollers
Top mast with cushion to avoid case jammed.
Two side-guiding rails
Casters with brake
Manual adjustment for different box sizes
The belt system, contain of belt width (72mm) and roller size (\varnothing 102mm),
the belt surface area provides higher friction hence no-slip.

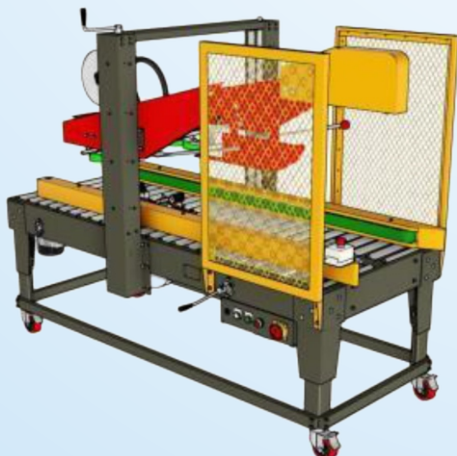
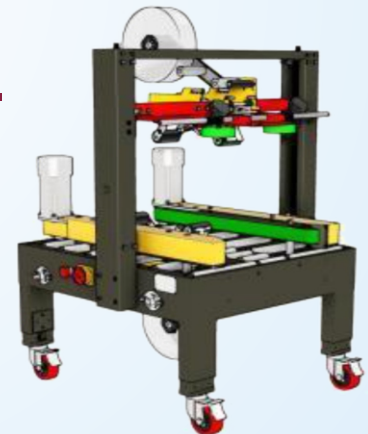


553S Power Driven Side Belt

Power Supply – I PH, 220V,
Tape Head – 2" OR 3"
Belt Speed – 20M/min
Carton Size – 150-N (L) x 120-500(W) x 85-500 (H) mm
Tape-end fix device
Both side compression rollers
Top mast with cushion to avoid case jammed.
Casters with brake
Manual adjustment for different box sizes
Roller Table

553SC Competitive Power Driven Side Belt

Power Supply – I PH, 220V
Tape Head – 2" OR 3"
Carton Size – 150-N (L) x 200-500(W) x 85-500(H) mm
Capacity – 30Box/min (depend on Carton Quality & Size
Both side compression rollers ♦ Top mast with cushion
Casters with brake ♦ Manual adjustment for different box sizes



558F Automatic Top Flap Folding With Power Driven Top & Side Belts.

Power supply – I PH, 220V,
Carton size – 200-600(L) x 200-500(W) x 110-500(H) mm
Can seal many different variety of general to tall/slim boxes.
Mechanical Aspect:
Pneumatic flap folding
Both side compression rollers
Top mast with cushion
Roller table
Casters with brake
Manual adjustment for different box sizes



CARTON SEALING MACHINE

559AF Fully Automatic Random Carton Top Flap Folding With Power Driven Side Belt

Suitable for many different box sizes,

Power Supply – 3PH, 220/440V

Carton size – 300 – 500 (L) x 200 – 500 (W) x 160 – 500 (L) mm

Tape Head – 2" OR 3"

Max Loading Weight – 30 Kg

Belt Speed – 20M/min

Mechatronic Aspect: ♦ PLC

Automatic top flap folding mechanism ♦ Automatic compression rollers

Mechanical Aspect: ♦ Top mast with cushion



555AU Fully Automated Power Driven Side Belts

Power supply – 1PH, 220V

Tape head – 2" OR 3"

Belt Speed – 20M/min

Mechatronic Aspect: ♦ PLC

Regular mode (random case sizes)

Memory mode (uniform case sizes)

With search height sensor

Mechanical Aspect: ♦ Both side compression rollers

Top mast with cushion to avoid case jammed

566AEG Edge-Seal | Random Carton Sizes

Power Supply – 3PH, 220/440V

Carton Size – 300-600(L) x 250-500(W) x 150-500(H) mm

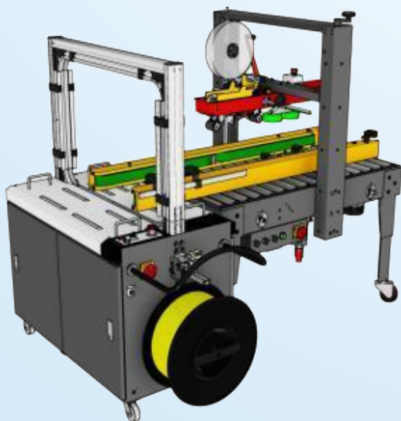
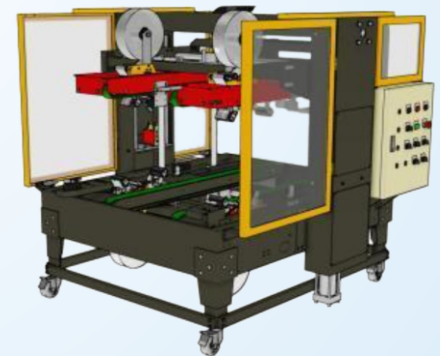
Reliable, easy to operate.

Mechatronic Aspect: ♦ PLC

Width & Height automatically adjusted according to different sizes

Width & Height memory function

Four edges sealed and wiped at the same time



553SB+0860AC CARTON SEALER + AUTOMATIC STRAPPER

Power – 3PH, 220/440V, / 1PH, 220V

Sealing Speed – 300-700 (L) x 120-500(W) x 110-500(H) mm

Belt Speed – 20M/min / 8CPM

553SB: Side Driven with Extended Belt

0860CAT: Automatic Strap Loading with Aluminum Arch



STRAPPING MACHINE

0860A Automatic Strapping Machine

Power supply – 3PH, 220V/380V/415V, 50/60Hz,

Strap Width – 9, 12, 15, 19

Strap Tension – Max 70 Kg.

Strap Speed – 30 strap / min

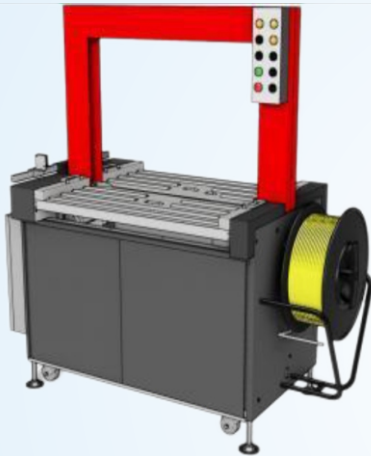
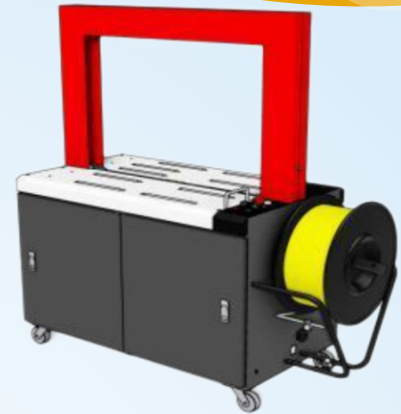
Machine Size – 1476 x 689 x 1644 mm

Mechanical Aspect:

Aluminum arch

Customize arch size

Extension roller table



0860AS2R Fully Automatic Strapping Machine

Power Supply – 3PH, 220V, 380V, 415V, (50/60Hz)

Arch size – W 850 x H 600 (mm)

Strap width – 9, 12, 15, 19 mm

Strap Tension – Max 70 kgs. (Adjustable)

Strapping Speed – 2.4 sec. / Strap

Mechanical Aspect:

Top press mechanism (Tighter strapping)

Dispenser I.D. 9" (230mm)

Customize Arch

PET strap

316H Semi Automatic Strapping Machine

Power Supply – 1PH, AC 110V, 220V, (50/60Hz)

Strap Width – 6, 9, 12, 15 mm (Adjustable)

Strap Tension – 15 – 50 Kg.

Strapping Speed – 2.0 sec / strap

Mechanical Aspect:

Adjustable Table height

Legs can be disassembled

Outside mechanical strapping tension adjustment



716Y Side Seal With Height Adjustment

Power supply – 1PH AC 220V, (50/60Hz), 0.25HP

Strap width – 6, 9, 12, 15

Strap Tension – 15 - 50 Kg.

Strapping Speed – 2.0 sec / strap

Mechanical Aspect:

Digital display

Electronic touch panel

Electronic control for strapping tension adjustment

Integrated PCB control system

low noise, low wear ♦ Adjustable working Table Height



CASE ERECTORS

567ERSC Auto Carton Erector – Horizontal Seal

Power Supply – 3PH, 415V,

Tape width – 3" OR 2" optional

Capacity – 6 – 7 Cartons per Minute

Air – 6kgf/cm²

PLC – Mitsubishi FX – IN

Mechanical Aspect:

- 1) OPP tape end is pressed by plate mechanism, no tape bent or tape end miss alignment.
- 2) Suitable for 3ply or 5 ply corrugated boxes Infeed mechanism with vacuum suction



568ERT Auto Carton Erector – Vertical Seal

Power Supply – 3PH, 415V(50/60Hz)

Tape width – 3" OR 2" optional

Capacity – 9 – 12 Cartons per minute

Air – 6Kgf/cm²

PLC – Mitsubishi FX – IN

Mechanical Aspect:

Vertical seal

Belt driven with universal bearing

Double suction arm

Aluminum frame and acrylic safety fence

Easy maintenance

Operating preference; Right Hand side or Left Hand side

55 ITSB Shrink Machine

Power Supply – 1PH, 220V,

Packing Capacity – 5 – 15 time/min

Air – 5kgf/cm²

Benefit

Easy to adjust

Simple operation

Automatic control





CONVEYOR SYSTEM

Flexible Roller Conveyor

Roller Width – 500mm

Roller MOC – SS Roller

Bearings – Std. Precision (DGBB)

Roller Height – 570 to 750mm (Adjustable)

Side Frame – Ms Powder coated

Support Legs – Mild Steel Powder coated

Conveyor Length – 2.5 Mtrs to 6 Mtrs.

Drive Unit – Geared Motor, located at bottom of conveyor (Reversible)

Speed – 15 meters per minute

Carrying Weight – Upto 50 Kgs. Per meter



Powered Roller Conveyor

Conveyor Length – As per Requirement

Roller Width – 450mm

Conveyor Width – 550mm

Roller Dia – 44mm

Roller Pitch – 100mm

Roller Height – 550mm to 700mm adjustable

Side Guards – Rollers are placed below the side casing by 25mm.

Conveyor Linear Speed – Approx. 20 meters per minute constant

Drive Unit – Geared Motor

Motor – 3Ph 440V, TEFC A/C 50Hz

Rollers Driven through – Chain & Sprockets

Maximum Product weight – 30 Kgs

Roller MOC – Ms Zinc Plated

Side Frame – Ms Powder coated Siemens Grey

Support Legs – Mild Steel Powder coated Siemens Grey





Truck Loading Conveyor

Truck Loading Conveyor

Capacity (kg per feet) – 50 to 100, 5 to 50
 Length – customized, 40-60 feet, 10-20 feet, 20-40 feet
 Automation grade – Semi-Automatic
 Design – Customized
 Material Handling Capacity – 1-50 kg per feet, 50-100 kg per ft.



Telescopic Belt Conveyor

Length (Feet) – 60-100 ft, 20-40 ft, 40-60 ft,
 10-20 ft, 1-10 ft
 Capacity (Kg per feet) – 1 – 50, 50 – 100
 Belt Material – PU, PVC
 Adjustable speed

Check Weigher with Rejection System

- **Measurement**
 - **Rejection**
 - **Operation**
 - **Alarm**
 - **Belt width**
 - **Belt speed**
 - **Power**
 - **Rated Output**
 - **Dimension**
 - **Weight**
- **Strain Gauge**
 - **Pusher with roller conveyor / with Belt Conveyor**
 - **Touch Screen**
 - **Buzzer & Lamp**
 - **450mm**
 - **Max. 45m/min / 60m / min**
 - **AC 220V 50-60HZ**
 - **Appr. 200W**
 - **1300mm(L) x 800mm(W) x 1200+ 100mm(H)**
 - **100Kg**





Coding System

AUTO CODING MACHINE

APPLICATIONS

On-line marking on automatic case sealing machines, case erectors, powered /roller conveyors continuously moving paper, film, many other surfaces:

- Batch Number
- Date of Manufacture
- Expiry Date
- Name and address of customer
- Manufacturer
- Product Name /Code

Technical Details: -

Area of Print: 98 X 425 mm : Print Speed : - 60 per minute

Rubber typesets: - 8 mm / 14mm / 39 mm / can be customized for logos



Hand Coder

Low cost

Porous & non Porous

Print Area – 98 mm x 355 mm

Print size – 6 mm to 80 mm



Ink Jet Printer



Display 3.5" Color LCD with LED backlight

User-interface Simple and easy-to-use operating system LED Indicators Alarm, Ink low, print, run, remote on/off

Input Device Pocket-sized IR remote keypad

Print Resolution & Print Speed 600 x 300 dpi (76.2 m/min)

Print Height Up to 4 lines and 12.7mm (0.5").

Selectable font size from 2.7mm, 3.6mm, 5.5mm, 8mm, 10mm, 12.7mm

Print Capability Alphanumeric, logos, date/time, shift code, counter, lot box code, Barcodes

Dimensions (L/W/H) 114x76x60 (mm)

Mounting Orientation Horizontal or downside

Message Storage Capacity Store up to 999 messages Operating Temperature

5°C – 40°C (41°F – 104°F) Data Interface RS485 & USB port